

Product: CHAIR WITH PADDED BACKREST AND HEADREST

An essential instrument in the contemporary office, *UniQa* is just as at home in prestigious directors' offices as in dynamic work areas and meeting rooms. An extremely flexible and hi-tech item, it matches well with linear, minimalist interiors, fully expressing the unique language of interior design.

UniQa with padded seat and backrest. The presidential model stands out from the rest with its padded headrest which increases the surface area supporting the spinal column, transforming the seat into a snug relaxation tool.

UniQa with backrest in Polyester fabric, a hygienic, anallergic material maintained taut by the Aluminium frame.

TECHNICAL FEATURES

Seat: black Polypropylene with metal plating reinforcement plate and Class M1 fire retardant contoured indeformable Polyurethane foam of different weight capacities with dimpled inserts. 63 kg/mc density flexible Polyurethane foam padding; upholstery in fabric, Leather or Extra Leather.

Backrest: the die-cast Aluminium skeleton provides the support for a range of different types of backrests.

- **Padded:** with 30 kg/mc density, flexible Polyurethane foam padding in fabric, Leather or Extra Leather.

This model can also have the headrest.

Base: ø 73 cm diameter Aluminium base on self-braking, hard or soft rubber swivel castors. Also available with caps.

Armrests (optional):

"T" shaped, height adjustable and pivotable, with bracket in the same finish as the structure (black painted or polished Aluminium), with black Polypropylene covering, while integral pad is made of a black, shockproof Polyurethane.

Fixed curved, in the same finish as the structure (polished or black painted Aluminium) with integral Polyurethane cover.

MECHANISMS AND ADJUSTEMENTS

Syncro with side shift, syncro rocking mechanism, with 22° angle, shockproof device and 11 locking positions. The mechanism is composed of two die-cast Aluminium cases.

The seat slides along the 55 mm range horizontal axis along with the armrests, 5 locking positions, button located under the rear right-hand corner. The seat's lumbar support is adjustable and has a 70 mm range.

On the ball and canvas versions position of the lumbar cushion can be regulated, while on the polyamide and padded versions the position of the backrest can be regulated.

FINISHES

Upholstery: Smart Office - Fabric cat. B, F, G, L, Leather and Extra Leather.

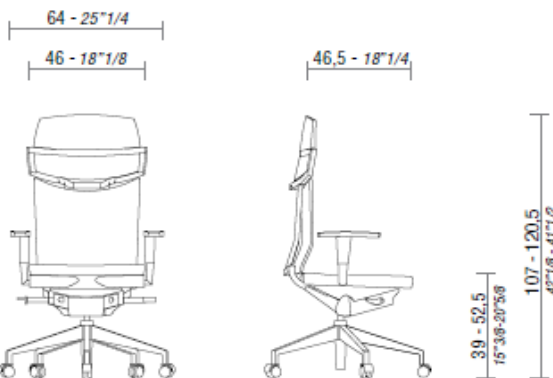
Base and structure: Black painted (standard) or polished Aluminium.

CERTIFICATIONS

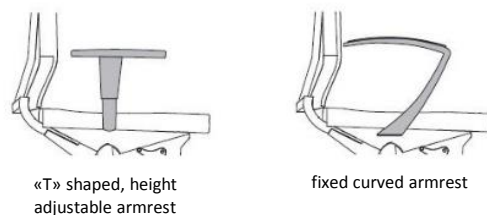
The UNIQUA chair has exceeded the strictest tests and offers full guarantees on the quality of used materials.

In conformity to:

UNI EN 1335-1 – UNI EN 1335-2 – UNI EN 1335-3 Safety, stability, strength and durability for video terminal seating – TYPE A.



UNIQUA, chair with padded backrest (with headrest).



«T» shaped, height adjustable armrest

fixed curved armrest

Mechanisms and adjustments



syncro mechanism
Standard

backrest tension adjustment
Standard

seat depth adjustment
Standard

lumbar support adjustment
Standard

height adjustment
Standard

Product: CHAIR WITH PADDED BACKREST

An essential instrument in the contemporary office, *UniQa* is just as at home in prestigious directors' offices as in dynamic work areas and meeting rooms. An extremely flexible and hi-tech item, it matches well with linear, minimalist interiors, fully expressing the unique language of interior design.

UniQa with padded seat and backrest.

UniQa with backrest in Polyester fabric, a hygienic, anallergic material maintained taut by the Aluminium frame.

TECHNICAL FEATURES

Seat: black Polypropylene with metal plating reinforcement plate and Class M1 fire retardant contoured indeformable Polyurethane foam of different weight capacities with dimpled inserts. 63 kg/mc density flexible Polyurethane foam padding; upholstery in fabric, Leather or Extra Leather.

Backrest: the die-cast Aluminium skeleton provides the support for a range of different types of backrests.

- **Padded:** with 30 kg/mc density, flexible Polyurethane foam padding in fabric, Leather or Extra Leather.

Base: ø 73 cm diameter Aluminium base on self-braking, hard or soft rubber swivel castors. Also available with caps.

Armrests (optional):

"T" shaped, height adjustable and pivotable, with bracket in the same finish as the structure (black painted or polished Aluminium), with black Polypropylene covering, while integral pad is made of a black, shockproof Polyurethane.

Fixed curved, in the same finish as the structure (polished or black painted Aluminium) with integral Polyurethane cover.

MECHANISMS AND ADJUSTEMENTS

Syncro with side shift, syncro rocking mechanism, with 22° angle, shockproof device and 11 locking positions. The mechanism is composed of two die-cast Aluminium cases.

The seat slides along the 55 mm range horizontal axis along with the armrests, 5 locking positions, button located under the rear right-hand corner. The seat's lumbar support is adjustable and has a 70 mm range.

On the ball and canvas versions position of the lumbar cushion can be regulated, while on the Polyamide and padded versions the position of the backrest can be regulated.

FINISHES

Upholstery: Smart Office - Fabric cat. B, F, G,L, Leather and Extra Leather.

Base and structure: Black painted (standard) or polished Aluminium.

CERTIFICATIONS

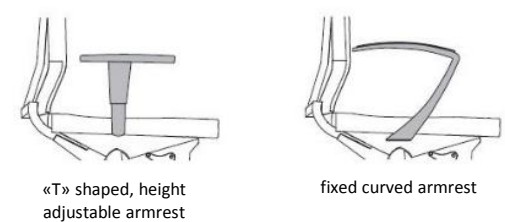
The UNIQUA chair has exceeded the strictest tests and offers full guarantees on the quality of used materials. UNIQUA has obtained the conformity attestation for video terminal users work postation and for UNI EN 1335:2000 in classe A.

In conformity to:

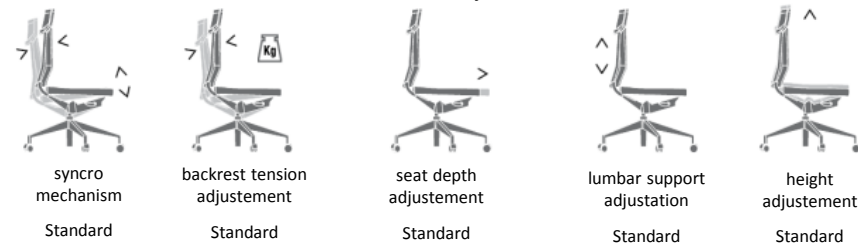
UNI EN 1335-1 – UNI EN 1335-2 – UNI EN 1335-3
Safety, stability, strenght and durability for video terminal seating – TYPE A.



UNIQUA, chair with padded backrestm (without headrest).



Mechanisms and adjustments



Product: CHAIR WITH BACKREST IN MESH

An essential instrument in the contemporary office, *UniQa* is just as at home in prestigious directors' offices as in dynamic work areas and meeting rooms. An extremely flexible and hi-tech item, it matches well with linear, minimalist interiors, fully expressing the unique language of interior design.

TECHNICAL FEATURES

Seat: black Polypropylene with metal plating reinforcement plate and Class M1 fire retardant contoured indeformable Polyurethane foam of different weight capacities with dimpled inserts. 63 kg/mc density flexible Polyurethane foam padding; upholstery in fabric, Leather or Extra Leather.

Backrest: the die-cast Aluminium skeleton provides the support for a range of different types of backrests.

- **In mesh:** a high-tech black Polyester fabric which encourages breathability, comfort and hygiene.

Base: ø 73 cm diameter Aluminium base on self-braking, hard or soft rubber swivel castors. Also available with caps.

Armrests (optional):

"T" shaped, height adjustable and pivotable, with bracket in the same finish as the structure (black painted or polished Aluminium), with black Polypropylene covering, while integral pad is made of a black, shockproof Polyurethane.

Fixed curved, in the same finish as the structure (polished or black painted Aluminium) with integral Polyurethane cover.

MECHANISMS AND ADJUSTEMENTS

Syncro with side shift, syncro rocking mechanism, with 22° angle, shockproof device and 11 locking positions. The mechanism is composed of two die-cast Aluminium cases.

The seat slides along the 55 mm range horizontal axis along with the armrests, 5 locking positions, button located under the rear right-hand corner. The seat's lumbar support is adjustable and has a 70 mm range.

On the ball and canvas versions position of the lumbar cushion can be regulated, while on the polyamide and padded versions the position of the backrest can be regulated.

FINISHES

Upholstery: Smart Office - Fabric cat. B, F, G, L, Leather and Extra Leather; Backrest in «Comfort» black mesh (55% Polyester - 45% Polyamide).

Base and structure: Black painted (standard) or polished Aluminium.

CERTIFICATIONS

The UNIQA chair has exceeded the strictest tests and offers full guarantees on the quality of used materials. UNIQA has obtained the conformity attestation for video terminal users work poststation and for UNI EN 1335:2000 in Class A.

In conformity to:

- UNI EN 1335-1
- UNI EN 1335-2
- UNI EN 1335-3

Safety, stability, strenght and durability for video terminal seating – TYPE A.



UNIQA, chair with backrest in mesh.

Mechanisms and adjustments

